

SIMX IN-LINE MOUNTED FANS

HIGH PERFORMANCE CENTRIFUGAL MODELS

Metric Size	Model No	Performance	Order Code
100mm	MAN100	49 l/s, 176m ³ /hr	FAN0361
125mm	MAN125	61 l/s, 220m ³ /hr	FAN0360
150mm	MAN150	115 l/s, 415m ³ /hr	FAN0330
200mm	MAN200	208 l/s, 750m ³ /hr	FAN0467
250mm	MAN250	280 l/s, 1010m ³ /hr	FAN0358
315mm	MAN315	360 l/s, 1300m ³ /hr	FAN0357



▶ Simx 150mm In-Line Mounted Fan

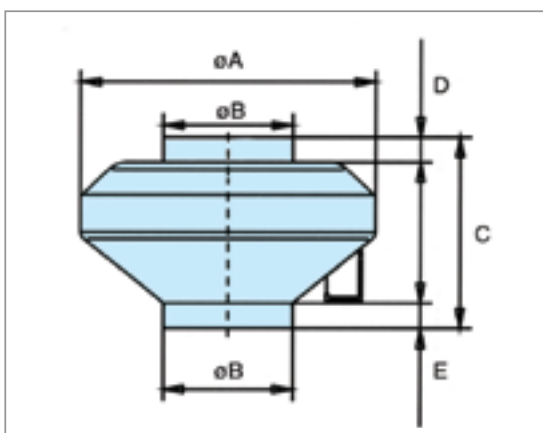
- Suitable for a variety of domestic and commercial applications, these in-line centrifugal fans provide extremely high performance with a choice of sizes.
- Supported by a 2 year warranty.

Please note: Can be used for supply/extract.

DIMENSION INFORMATION (mm)

Models	A	B	C	D	E
MAN100	250	100	136	50	70
MAN125	250	125	147	60	60
MAN150	340	150	154	50	75
MAN200	340	200	154	50	75
MAN250	320	249	310	65	65
MAN315	405	315	177	80	80

▶ Dimensions



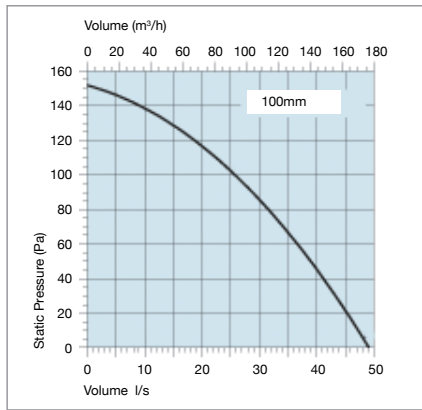
TECHNICAL DATA

TECHNICAL INFORMATION

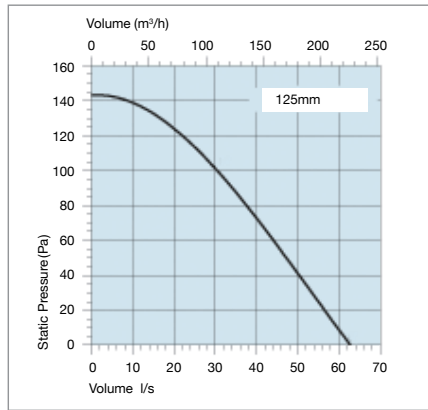
Models	MAN100	MAN125	MAN150	MAN200	MAN250	MAN315
Voltage/Freq (50hz)	220~240V	220~240V	220~240V	220~240V	220~240V	220~240V
Fan Performance	49 l/s, 176m ³ /hr	61 l/s, 220m ³ /hr	115 l/s, 415m ³ /hr	208 l/s, 750m ³ /hr	280 l/s, 1010m ³ /hr	360 l/s, 1300m ³ /hr
Fan Wattage	32W	31W	65W	110W	170W	200W
Maximum Pressure	153 Pa	143 Pa	320 Pa	418 Pa	500 Pa	590 Pa
Current (A)	0.14	0.13	0.35	0.45	0.76	0.87
Fan Speed (min-1)	2500 rpm	2490 rpm	2350 rpm	2520 rpm	2580 rpm	2410 rpm
Sound Level*	38 dB(A)	38 dB(A)	50 dB(A)	56 dB(A)	47 dB(A)	57 dB(A)
Max Operating Temp	60°C	60°C	50°C	60°C	50°C	45°C

* dB(A) - measured 1m free field.

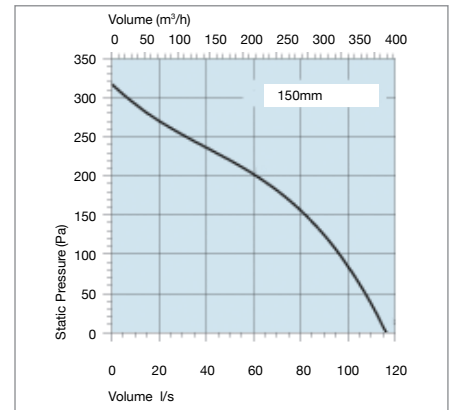
▶ Performance - MAN100



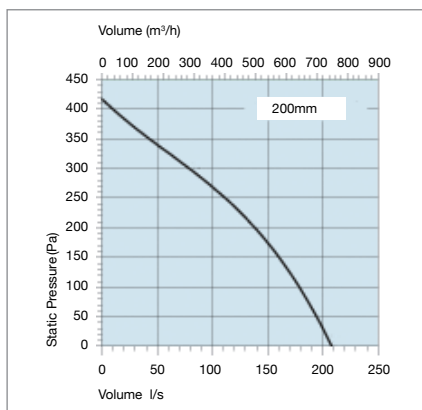
▶ Performance - MAN125



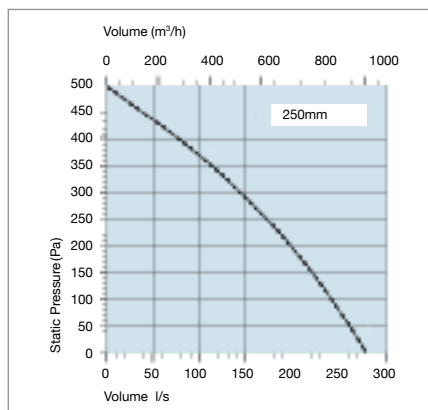
▶ Performance - MAN150



▶ Performance - MAN200



▶ Performance - MAN250



▶ Performance - MAN315

