

SIMX IN-LINE MIXED FLOW FANS

KD IN-LINE MOUNTED FANS

| Metric Size | Model No. | Performance | Order Code |
|-------------|-----------|----------------------------------|------------|
| 200mm | KD200L | 366 l/s, 1318m ³ /hr | |
| 250mm | KD250L | 551 l/s, 1840m ³ /hr | FAN0006 |
| 315mm | KD315L | 593 l/s, 2135m ³ /hr | |
| 315mm | KD315XL1 | 768 l/s, 2830m ³ /hr | |
| 400mm | KD400M1 | 1155 l/s, 4158m ³ /hr | |
| *400mm | KD400M3 | 1241 l/s, 4468m ³ /hr | |
| 400mm | KD400XL1 | 1709 l/s, 6152m ³ /hr | |
| *400mm | KD400XL3 | 1777 l/s, 6397m ³ /hr | |
| 500mm | KD500M1 | 2369 l/s, 8528m ³ /hr | |
| *500mm | KD500M3 | 2344 l/s, 8438m ³ /hr | |



▶ Simx 250mm In-Line Mix Flow Fan

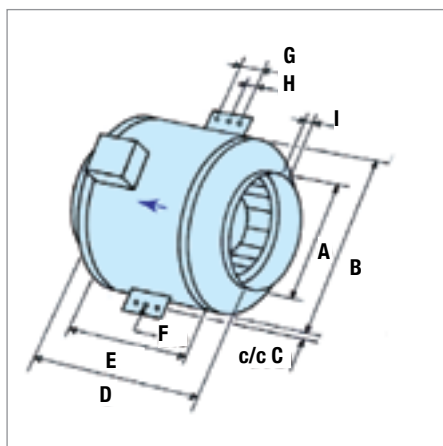
* Three phase power models.

- These KD mixed flow fans have high quality external rotor ball bearing motors and are designed for applications that require high airflows with low relative noise.
- Manufactured from powder coated galvanised steel.
- Speed controllable.
- Integrated thermal contacts.
- Brackets are supplied with the fan for ease of installation.
- Supported by a 2 year warranty.

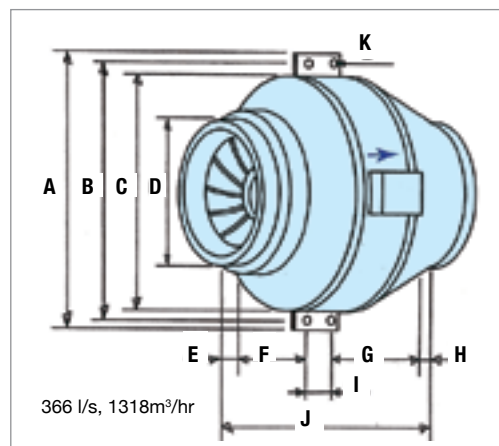
DIMENSION INFORMATION (mm)

| Models | A | B | C | D | E | F | G | H | I | J | K |
|-------------|-----|-----|-----|-----|-----|-----|-----|----|-----|-----|--------|
| KD200L | 200 | 315 | 21 | 370 | 180 | 10 | 60 | 30 | 25 | - | - |
| KD250L | 305 | 355 | 21 | 250 | 205 | 10 | 60 | 30 | 25 | - | - |
| KD315L | 385 | 355 | 21 | 315 | 205 | 10 | 60 | 30 | 25 | - | - |
| KD315XL1 | 540 | 518 | 455 | 315 | 20 | 114 | 168 | 49 | 100 | 484 | 10(4x) |
| KD400M1/M3 | 590 | 568 | 503 | 400 | 38 | 101 | 142 | 40 | 100 | 480 | 10(4x) |
| KD400XL1/L3 | 662 | 625 | 560 | 400 | 37 | 143 | 178 | 44 | 200 | 602 | 12(4x) |
| KD500M1/M3 | 758 | 721 | 663 | 500 | 46 | 98 | 176 | 46 | 200 | 643 | 12(4x) |

▶ Dimensions - KD200 / KD250



▶ Dimensions - KD315 / KD400 / KD500



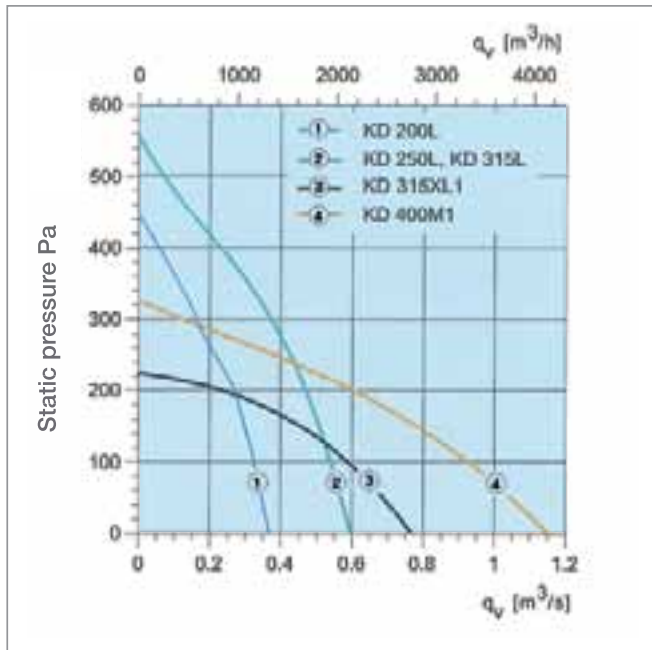
TECHNICAL DATA

TECHNICAL SPECIFICATION

| Models | KD200L | KD250L | KD315L | KD315L1 | KD400M1 |
|------------------|------------------------------------|------------------------------------|------------------------------------|------------------------------------|-------------------------------------|
| Fan Performance | 366 l/s, 1318m ³ /hr | 551 l/s, 1840m ³ /hr | 593 l/s, 2135m ³ /hr | 768 l/s, 2830m ³ /hr | 1155 l/s, 4158m ³ /hr |
| Maximum Pressure | 450 Pa | 550 Pa | 560 Pa | 225 Pa | 320 Pa |
| Sound Level | 53 dB(A) | 55 dB(A) | 53 dB(A) | 52 dB(A) | 53 dB(A) |

| Models | KD400M3 | KD400XL1 | KD400XL3 | KD500M1 | KD500M3 |
|------------------|-------------------------------------|-------------------------------------|-------------------------------------|-------------------------------------|-------------------------------------|
| Fan Performance | 1241 l/s, 4468m ³ /hr | 1709 l/s, 6152m ³ /hr | 1777 l/s, 6397m ³ /hr | 2369 l/s, 8528m ³ /hr | 2344 l/s, 8438m ³ /hr |
| Maximum Pressure | 340 Pa | 430 Pa | 430 Pa | 520 Pa | 520 Pa |
| Sound Level | 54 dB(A) | 58 dB(A) | 57 dB(A) | 64 dB(A) | 60 dB(A) |

▶ Performance - KD200L / KD315L / KD315XL1 / KD400M1



▶ Performance - KD400M3 / KD400XL1 / KD400XL3 / KD500M1 / KD500M3

