

TECHNICAL DATA

DIMENSION INFORMATION

DIMENSION SPECIFICATION (mm) - HAND DRYERS

Model	A	B	C
Jet Dry	300	685	220
MAN E-88AE	201	277	175
MAN E-88AEBC	201	277	175
MAN M-88A	225	275	160
MAN A-89	225	275	160
MAN/E-88A	284	248	202

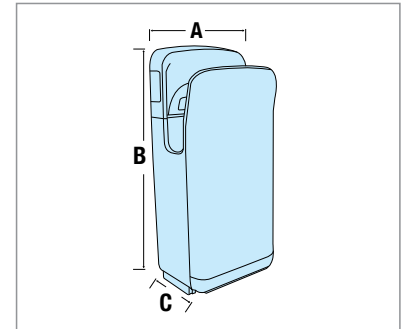
TECHNICAL SPECIFICATION - PRO SERIES

Models	Jet Dry	MAN E-88AE	MAN E-88AEBC
Power	220 - 240V	220 - 240V	220 - 240V
Cover		White Steel	Stainless Satin Steel
Fan Performance	Air Speed 95 m/s	32l/s, 116m ³ /hr	32l/s, 116m ³ /hr
Operation		No touch infra-red detection	No touch infra-red detection
Heater Element	900W-1300W adjustable	450-900W adjustable	450-900W adjustable
Power	1.6kW @ 240V	1.6kW @ 240V	1.6kW @ 240V
Dry Time	10 secs	10 secs	10 secs
Sound Level	74 dB(A)	74 dB(A)	74 dB(A)
Weight	11.0kg	7.0kg	7.0kg

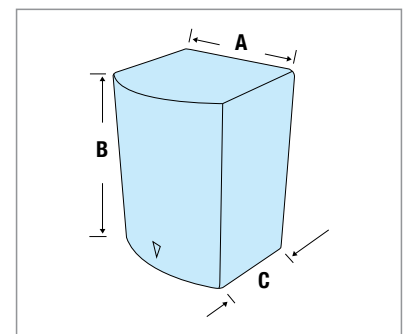
TECHNICAL SPECIFICATION - CLASSIC

Models	MAN M-88A	MAN A-89A	MAN/E-88A
Power	220 - 240V	220 - 240V	220 - 240V
Cover	ABS Thermoplastic White	3mm Aluminium	Steel 2mm Porcelain Enamel
Fan Performance	56l/s, 200m ³ /hr	108 l/s, 388m ³ /hr	130l/s, 470m ³ /hr
Operation	No touch infra-red detection	No touch infra-red detection	No touch infra-red detection
Power	1.5kW @ 240V	2.0kW @ 240V	2.4kW @ 240V
Sound Level	54 dB(A)	69 dB(A)	70 dB(A)
Weight	3.3kg	4.7kg	7.5kg

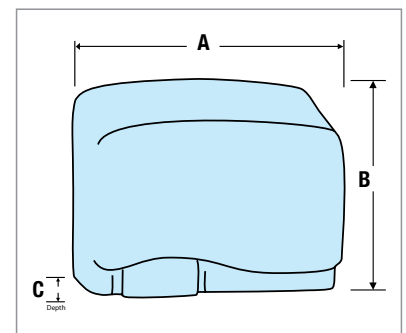
Dimensions - Jet Dry



Dimensions - E-88AE Models



Dimensions - M-88A, A-89



Dimensions - E-88A

